

# TECHNICAL DATA SHEET

## Painter's acrylic

**Art. no. 0892 161 1**

P. Qty.: 1 / 24

**High-quality acrylic sealant for window sealing inside and other internal and external expansion joints**

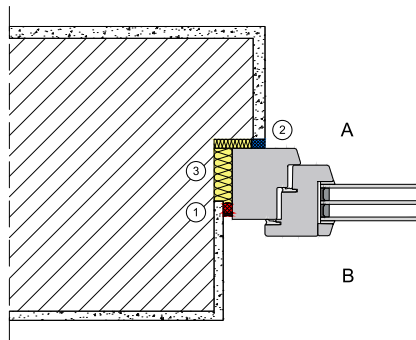
- Highly elastic
- Tested in accordance with EN 15651 Part 1 F-EXT-INT 12.5P
- Can withstand rain shortly after application (acrylic is not washed off after skin formation if light rain falls onto the surface)
- Resistant to ageing, weathering and UV
- Silicone-free
- Solvent-free
- Plastoelastic



Container	Cartridge
Contents	310 ml
Fungicidal properties	No
Colour	White
Chemical basis	Acrylic resin dispersion
Density	1.5 g/cm <sup>3</sup>
Continuous motion absorption	20 %
Smell/fragrance	Characteristic
Full curing speed	1 mm/d
Fully hardening/curing conditions	23 °C and 50% relative humidity
Min. skin-formation time	10 min
Min. breaking elongation	500 %
Breaking elongation conditions	for 2-mm film
Conditions for skin-formation time	at 23 °C and 50% relative humidity
Shore A hardness	10
Min./max. temperature resistance	-20 to 80 °C
Min./max. processing temperature	5 to 40 °C
Recoatable/Can be painted over	Yes
Water-vapour diffusion resistance factor value $\mu$	24000
Surface pre-treatment required	On absorbent or porous surfaces
Mixing ratio	Mixing ratio of painters acrylic to water = 1:5 to 1:10
Ultraviolet resistance	Yes
Coating compatibility	Yes

# TECHNICAL DATA SHEET

Shelf life from production	24 Month
Conditions to maintain shelf life from production	at min. -15°C, slow defrosting time
Sustainability	Low-emission/low-pollution



1. PE backfill material, cut-resistant round cord, paint acrylic
2. Sealing tape VKP PLUS, sealing tape VKP MAX
3. IC gun foam PURLOGIC Top, IC gun foam PURLOGIC Flex

## Application area

Expansion joints indoors and outdoors. In the window sealing system: Painter's acrylic inner seal and windows and façade-tight outer seal.

## Application information

The substrate must be load-bearing, clean, dry and free from grease, rust and water. Do not apply to glass, enamel or ceramic. Pre-fill joints with PE back-fill material, art. no. 0875 .... On absorbent or porous substrates (e.g. concrete), priming (acrylic filler and water in a ratio of 1:1 to 1:5) improves adhesion. For further information regarding application, please refer to „General notes on processing sealants“.

## Proof of performance

### Tested in accordance with EN 15651 Part 1

- Fire behaviour: Class E
- Stability under load:  $\leq 3$  mm
- Volume loss:  $\leq 25$  %
- Tensile behaviour after immersion in water (at 23°C), ductile:  $\geq 100$  %
- Durability: Passed

EMICODE EC1plus: Very low emissions: The EMICODE classification system distinguishes the environmental and health compatibility of construction products. The lowest-emission products bear the EC1plus mark.

# TECHNICAL DATA SHEET



## Notice

Not suitable for use in building construction joints in accordance with DIN 18540. Due to the wide variety of paint and lacquer formulas available, we recommend that you always carry out preliminary testing in order to rule out any interactions. Caution: Sealant joints that have been fully painted over tend to crack when movement occurs in the joint, as the applied paint is generally less elastic than the sealant. The setting speed is dependent on the application temperature, the weather and the surface moisture. The speed is greatly delayed in cold, damp weather. Discolouration may occur in wood containing tannic acid. For vertical joints, please observe the run-off behaviour of the sealant. May cause corrosion on metals such as steel, copper and zinc-plated surfaces.

Standing water should be prevented in the acrylic joint as this can lead to erosion.

Acrylic is very unstable in terms of water absorption and release. Since the diffusion behaviour also changes as a result of the differences in water adsorption in the material, neither the water vapour diffusion resistance ( $\mu$ ) nor the diffusion-equivalent air layer thickness (SD) can be measured on this material in accordance with DIN EN 12572. The value of 5,000 is the average value obtained through testing.

Do not use in applications involving contact with pre-compressed sealing tapes.

Paint acrylic is not suitable for adhesive bonding or filling cavities. Due to the large number of varnish and glazing formulations available, especially on alkyd resin paints and powder-coated aluminium, always carry out your own tests on the area first.

The usage instructions are recommendations based on the tests we have conducted and our experience; carry out your own tests before each application. Due to the large number of applications and storage and processing conditions, we do not assume any liability for a specific application result. Insofar as our free customer service provides technical information or acts as an advisory service, no responsibility is assumed by this service except where the advice or information given falls within the scope of our specified, contractually agreed service or the advisor was acting deliberately. We guarantee consistent quality of our products. We reserve the right to make technical changes and further develop products.